

The SKYE-TRANS4MAX



Standard Features

- Custom Frame
- 6061-T6 Aluminum Frame
- Black Nylon Upholstery
- Adjustable Center of Gravity (C.G) & Foot Height
- Plastic Front Casters
- Rigid Backrest
- Limited Lifetime Warranty

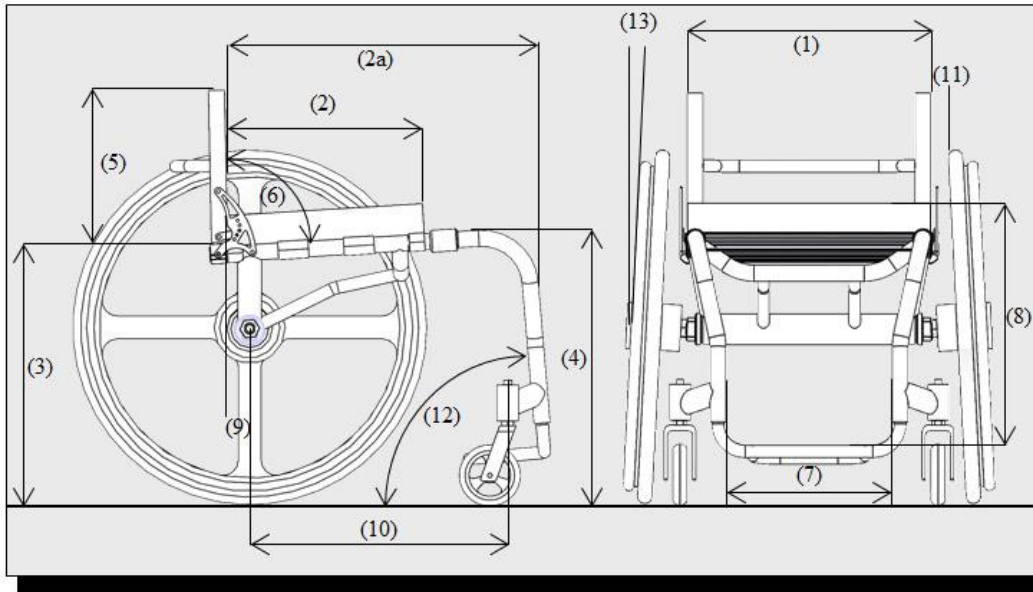
Optional Features

- Spinergy Wheels
- Folding Back Rest
- 5" or 4" Alum. Casters
- Special Color Frame
- Wheel Locks
- Anti-Tip Bars
- Side Guards
- Push Handles



Enjoy all the same customizable features as P4X offers and increase performance with our guaranteed custom fit! If space is limited the Trans4Max has got you covered as it will fit in most overhead compartments on airplanes! As well as trunks and passenger seats of compacts and sports cars. Don't let your wheelchair decide where you go, get there with the Skye Trans4max!

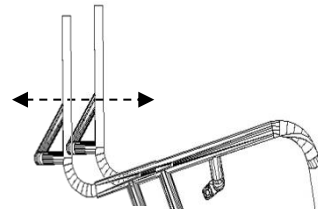
The SKYE-TRANS4MAX



Measurement Diagram

- 1) Seat Width
- 2) Seat Depth
- 2a) Total Length
- 2) Rear Seat Height
- 4) Front Seat Height
- 5) Back Height
- 6) Back Angle
- 7) Foot Width
- 8) Lower Leg Length
- 9) Back Rest to Axle
- 10) Center Axle to Caster Housing
- 11) Side Wheel Clearance
- 12) Camber Angle
- 13) Camber Angle

Adjustable Angle Folding Backrest



Adjustable Center of Gravity on Rigid Backrest only

Rear Wheels

- 26 x 1 (25-590)
- 25 x 1 (25-559)
- 24 x 1 (20-540)

Frame Color Options



PER4MAX MEDICAL

1000 Post and Paddock, Ste 310
Grand Prairie, TX 75050
Phone (972) 641-6773
Fax (972) 782-9011

PER4MAX MEDICAL

WWW.PER4MAX.COM