

- Cash Insurance
 Grant Other _____

PER4MAX THUNDER

Rep.: _____
 Event: _____

Name: _____
 Address: _____
 City: _____
 State: _____ Zip: _____
 Email: _____

Date: _____ SSN# : XXX - XX - _____
 Age: _____ Weight (lbs.): _____ Height: _____"
 Disability: _____
 Tel #: () _____ - _____ (Home or Work)
 Other Info: _____

FRAME SPECIFICATION

Model

THUNDER Retail: \$2849

SPORT:

- Basketball Tennis Softball (No Front Bumper)

1) Seat Width

- 12" 13" 14" 15" 16" 17" 18"
 Optional Tapered @ the Knee _____" \$125

2) Seat Depth

- 12" 13" 14" 15" 16" 17" 18"

3) Total Length _____"

4) Rear Seat Height

- 14" 15" 16" 17" 18" Other _____"
 Optional Plastic Seat Plate..... \$125

5) Front Seat Height

- 14" 15" 16" 17" 18" Other _____"

6) Backrest Height

- 10" 12" 14" 16" Other: _____"
 Back Height Adj. : From _____" to _____" \$80

7) Back Angle

- 0° 3° 5°
 Other: _____° (⊥ Seat or ⊥ Floor)

8) Foot Width

- 7" 8" 9" 10" Other: _____"

9) Lower Leg Length _____" (16", 17", etc.)

10) Backrest To Center Axle

- 2" 3" 4" 5" Other: _____"

11) Center Axle To Caster Housing

- 15" 16" 17" 18" Other: _____"

12) Caster Housing To Front Foot Plate

- 6" Std. Other: _____"

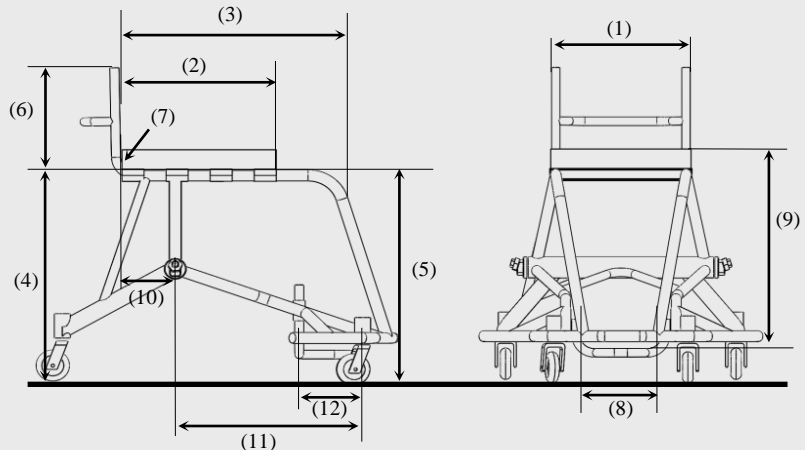
13) Side Wheel Clearance

- 1/2" 1" 1 1/2" 2"

14) Camber Angle

- 15° 17° 18° Other: _____°

Notes:



*Effective: March 2015

Pricing and specifications are subject to change without notice.

Customer Service
 Telephone: 972-641-6773
 Fax: 972-782-9011

PER4MAX MEDICAL

www.per4max.com

Page 1 of 2

1000 Post & Paddock, Suite 310
 Grand Prairie, Texas 75050

PER4MAX THUNDER

FRAME COLORS

- Sky White Bonded Silver Dormant Violet Ruby Red Glossy Black Matte Black Safety Yellow
 Candy Blue Candy Red Sparkle Green Safety Orange Polish (Brushed)
 Accessory Colors Standard Glossy Black Accessory Color Option _____ (one color additional: \$350)
 Other: _____ \$TBD Backrest Footrest Side Guards

WHEELCHAIR OPTIONS

5th WHEEL

- Rigid **Std.**
 Dual Rigid \$250
 Removable \$250

CLICK STRAP

- Waist Strap Size _____" \$100
 Lap Strap Size _____" \$75
 Foot Strap Size _____" \$75

BACK REST

- Rigid **Std.**
 Continuous \$280

SIDE GUARDS (std. fixed)

- Aluminum \$140
 Special Size Aluminum (H_____ x L_____). \$230

CASTERS

- 3" (72mm) Micro **Std.**
 59mm Micro \$60
 Other \$TBD

MISCELLANEOUS

- Hard Cushion \$120
 Special Cushion (Roho, Stimulite Etc.) \$TBD
 Foam Impact Guards \$75
 Leather Trim Upholstery \$175
 Tension Backrest Upholstery \$300
 Footplate (Plastic) \$80
 Other \$TBD

WHEELS & TIRES

WHEELS

- Rear Wheels \$300
 24" 25" 26" 27"
 Spinergy Wheels \$695
 24" 25" 26" 27"
 Black White Blue Red Yellow
 Spinergy Sport Light Extreme (SLX) add \$200
 Green Orange Pink

HAND RIMS STYLE

- Hard Anodized 6 tab **Std.**
 Mounting Close to Tire
 Hard Anodized 12 tab \$95
 Mounting Close to Tire
 Other \$TBD

TIRES

- High Pressure Tires **Std.**
 Schwalbe Speed Air Tires \$150
 Other \$TBD

Notes:

*Effective: March 2015

Pricing and specifications are subject to change without notice

Customer Service
 Telephone: 972-641-6773
 Fax: 972-782-9011

PER4MAX MEDICAL
 www.per4max.com
 Page 2 of 2

1000 Post & Paddock, Suite 310
 Grand Prairie, Texas 75050