

- Cash     Insurance  
 Grant     Other \_\_\_\_\_

Rep.: \_\_\_\_\_  
 Event: \_\_\_\_\_

Name: \_\_\_\_\_  
 Address: \_\_\_\_\_  
 City: \_\_\_\_\_  
 State: \_\_\_\_\_ Zip: \_\_\_\_\_  
 Email: \_\_\_\_\_

Date: \_\_\_\_\_ SSN# : XXX - XX - \_\_\_\_\_  
 Age: \_\_\_\_\_ Weight (lbs.): \_\_\_\_\_ Height: \_\_\_\_\_"  
 Disability: \_\_\_\_\_  
 Tel #: ( ) \_\_\_\_\_ - \_\_\_\_\_ (Home or Work)  
 Other Info: \_\_\_\_\_

## FRAME SPECIFICATION

### Model

SKYE (K0005) ..... Retail: \$2549

#### 1) Seat Width (E2201- WIDTH 20-24")

- 14"    15"    16"    17"    18"

#### 2) Seat Depth (E2203- DEPTH 20-22")

- 14"    15"    16"    17"    18"

#### 2a) Total Length \_\_\_\_\_"

#### 3) Rear Seat Height

- 15"    16"    17"    18"    19"    20"

#### 4) Front Seat Height

- 15"    16"    17"    18"    19"    20"

#### 5) Backrest Height

- 10"    12"    14"    16"    Other: \_\_\_\_\_"

Back Height Adj.: From \_\_\_\_\_" to \_\_\_\_\_" ..... \$ 80

#### 6) Back Angle

- 0°    3°    5°    Other: \_\_\_\_\_°

#### 7) Foot Width

- 8"    9"    10"    11"    Other: \_\_\_\_\_"

#### 8) Lower Leg Length \_\_\_\_\_" (16", 17", etc.)

#### 9) Backrest To Center Axle (C.G)

- 0"    1"    2"    3"    Other: \_\_\_\_\_"

#### 9a) Center Axle to Caster Housing

- 14"    15"    16"    17"    Other: \_\_\_\_\_"

#### 10) Side Wheel Clearance

- 1"    1 1/2"    2"

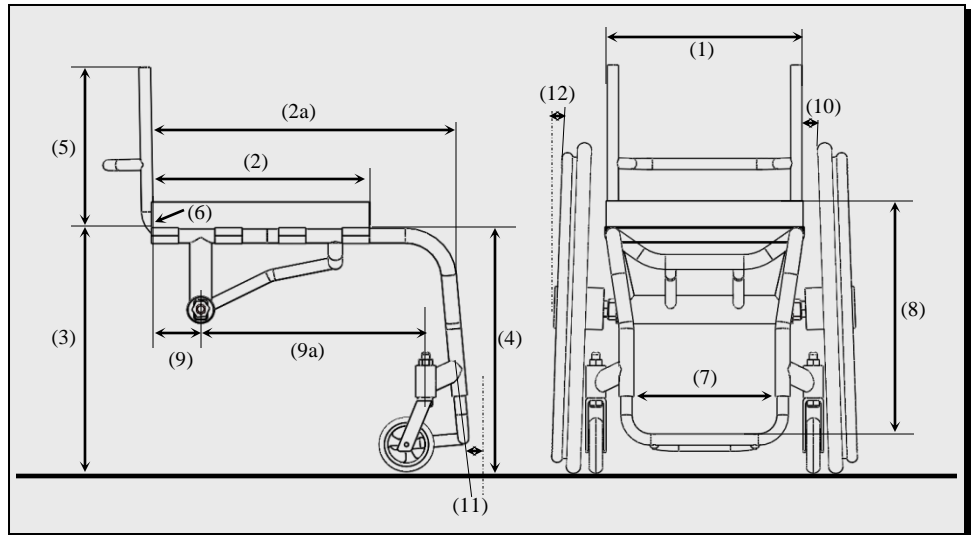
#### 11) Front End Angle Relative to Floor

- 85°    75°

#### 12) Camber Angle

- 0°    3°

# Notes:



\*Effective: March 2015

Pricing and specifications are subject to change without notice

Customer Service:  
 Telephone: 972-641-6773  
 Fax: 972-782-9011

**PER4MAX MEDICAL**  
 www.per4max.com  
 Page 1 of 2

1000 Post & Paddock Ste. 310  
 Grand Prairie, TX 75050

## FRAME COLORS

- Sky White     Bonded Silver     Dormant Violet     Ruby Red     Glossy Black     Matte Black     Safety Yellow
- Candy Blue     Candy Red     Sparkle Green     Safety Orange     Polish (Brushed)
- Accessory Colors Standard Glossy Black     Accessory Color Option \_\_\_\_\_ (one color additional: \$350)
- Other: \_\_\_\_\_ \$TBD     Backrest     Footrest     Side Guards

## WHEELCHAIR OPTIONS

### BACK REST

- Rigid ..... NC
- Folding ..... \$ 280

### PUSH HANDLES

- Removable ..... \$ 250
- Retractable ..... \$ 250

### SIDE GUARDS (K0108)

- Aluminum (folding backrest requires removable or integrated) \$ 140
  - Removable Extra ..... \$ 90
- Special Size Aluminum (H\_\_\_\_\_x L\_\_\_\_\_ ) \$230
- Removable Plastic ..... \$ 225

### WHEEL LOCKS (E2206)

- Push Locks ..... NC
- Scissors Locks ..... \$ 220
- D's Locks ..... \$ 650

### CASTERS

- 3" (72mm) Micro ..... NC
- 4x1" Plastic ..... \$55
- 5x1" Plastic ..... \$65
- 4x1" Aluminum ..... \$ 95
- 5x1" Aluminum ..... \$ 100
- Frog Legs (E1015) ..... \$ 329
- Other \_\_\_\_\_ \$TBD

### MISCELLANEOUS

- Swing Away Armrest (E0994) ..... \$ 350
- Anti-Tip Bars (E0971) ..... \$ 225
- Special Cushion (Roho, Stimulite Etc.) (E2603) ..... \$TBD
- Foam Impact Guards ..... \$ 75
- Nylon Pouch ..... \$ 60
- Plastic Foot Plate (K0042) ..... \$ 80
- Tension Backrest Upholstery (E2611) ..... \$300
- Seat Belt (E0978) ..... \$125
- Other \_\_\_\_\_ \$TBD

## WHEELS & TIRES

### WHEELS

- Rear Wheels .....\$300
  - 24"     25"     26"     27"
- Spinergy Wheels .....\$695
  - 24"     25"     26"     27"
  - Black     White     Blue     Red     Yellow
  - Spinergy Light Extreme (LX).....add \$200
    - Green     Orange     Pink

### HAND RIMS SYLE

- Hard Anodized 6 tab ..... **Std.**
  - Mounting Close to Tire
- Vinyl Coated ..... \$90
- Other \_\_\_\_\_ \$TBD

### TIRES

- High Pressure Tires (E2211, E2212) ..... **Std.**
- Schwalbe Marathon Plus ..... \$150
- All Terrain Tires ..... \$100
- Solid Airless Tires (E2218) ..... \$110
- Other \_\_\_\_\_ \$TBD

# Notes:

\*Effective: March 2015

Pricing and specifications are subject to change without notice

Customer Service:  
Telephone: 972-641-6773  
Fax: 972-782-9011

**PER4MAX MEDICAL**  
www.per4max.com  
Page 2 of 2

1000 Post & Paddock Ste. 310  
Grand Prairie, TX 75050