



PER4MAX MEDICAL

*William H. H. H.
President*



OWNER'S MANUAL

TABLE OF CONTENTS

INTRODUCTION.....	3
SPECIFICATIONS AND PARTS.....	4
FRAME WEIGHT	4
MAJOR COMPONENTS	5
BASIC DIMENSIONS	5
GENERAL OPERATIONAL GUIDELINES.....	6
GENERAL WARNINGS	6
STABILITY	7
OPERATIONAL INFORMATION.....	7
WEIGHT TRAINING.....	8
WEIGHT LIMIT	8
SAFE OPERATION OF WHEELCHAIRS	8
<i>Stability and Balance</i>	8
<i>Coping with Everyday Obstacles</i>	9
<i>Guidance for Assistants</i>	9
<i>Weight Distribution</i>	9
<i>Reaching and Leaning</i>	10
<i>Tilting</i>	10
<i>Stairs</i>	11
<i>Transferring to and From Other Seats</i>	12
SAFETY INSPECTION.....	12
TROUBLESHOOTING	14
MAINTENANCE	14
SUGGESTED MAINTENANCE PROCEDURES	14
ADJUSTING YOUR CHAIR	15
BACK REST ADJUSTMENT	15
FOOT REST ADJUSTMENT.....	16
CAMBER ANGLE ADJUSTMENT/ WHEEL SPACING.....	16
WARRANTY POLICY	17
RETURN POLICY	18
REGISTRATION OF PRODUCT	19
REGISTRATION FORM	20

Introduction

Thank you for choosing the Per4max line of custom built everyday wheelchairs. This manual contains information on the Shockwave wheelchair. This manual will cover the safe and effective use of the wheelchair as well as some of the features needed to fully adjust the chair to the users preference. If you have any questions about your chair, call your authorized supplier or feel free to write or call us directly at the address and telephone number below.

Per4max

Customer Service Department
1000 Post and Paddock, Ste. 302
Grand Prairie, Texas 75050
Office (972) 641 - 6773
Fax (972) 782 - 9011

It is extremely important that you and anyone that may assist you read this entire manual. This will ensure that you are completely familiar with the safe operation and adjustment of your new wheelchair. Remember, every wheelchair is different and there will be an adjustment period in operating your new chair.

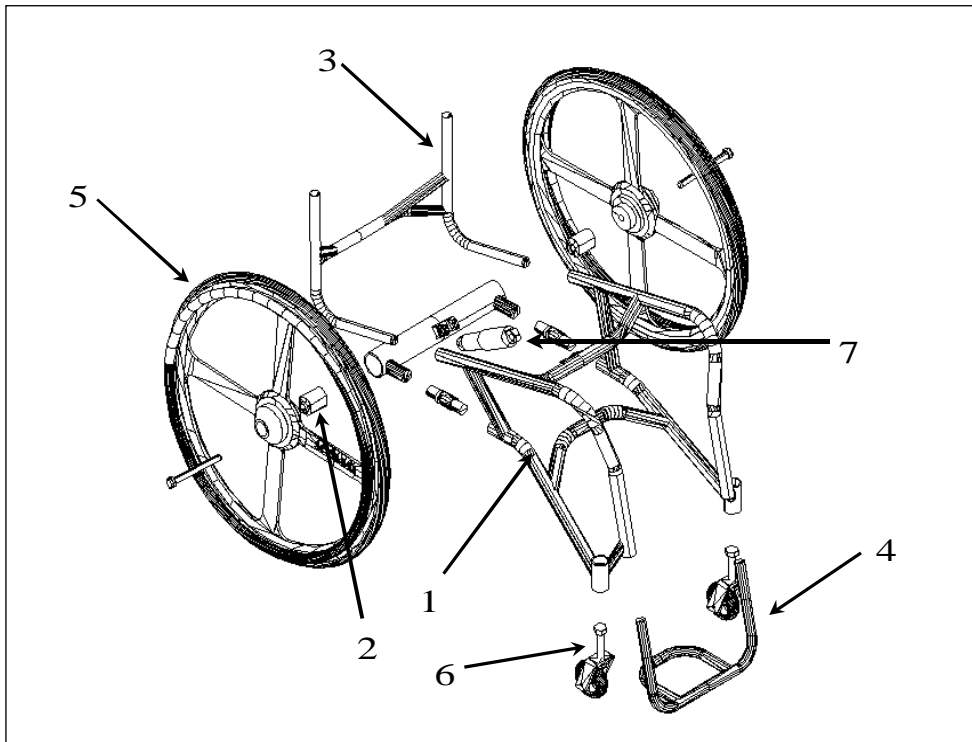
WARNING

DO NOT OPERATE THIS EQUIPMENT WITHOUT FIRST READING AND UNDERSTANDING THIS MANUAL. IF YOU ARE UNABLE TO UNDERSTAND THE WARNINGS, CAUTIONS AND INSTRUCTIONS, CONTACT YOUR LOCAL REPRESENTATIVE OR PER4MAX CUSTOMER SERVICE AT 972-641-6773 BEFORE ATTEMPTING TO USE THIS EQUIPMENT

Specifications and Parts

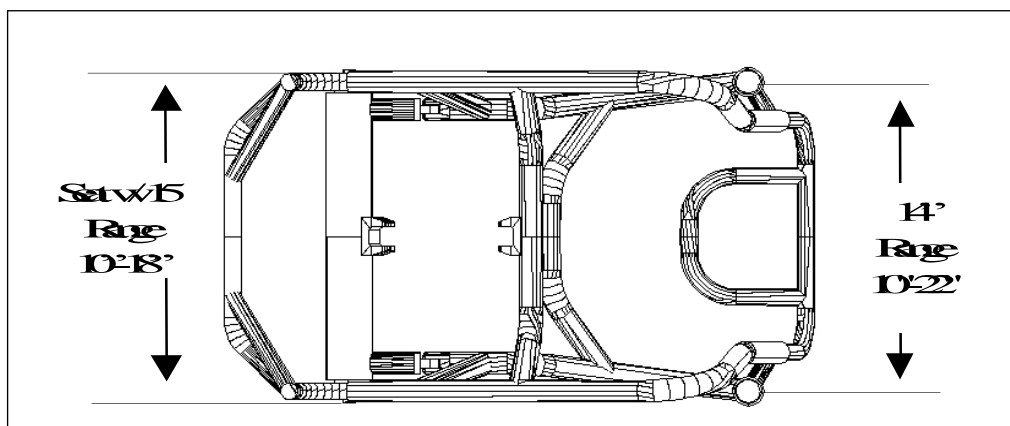
Frame	6061-T6 Aluminum with Air Adjustable Suspension
Seat Width	12 – 20 Inches in 1” Increments
Seat Depth	12 – 20 Inches in 1” Increments
Seat Height	Front 16 – 21 Inches Rear 16 – 21 Inches
Back Height	Fixed 10 – 16 Inches Adjustable 4” Adjustment in 1” Increments
Back Angle	0 - 15 Degrees in 1 Degree Increments
Back Rest	Rigid or Folding
Foot Width	6” – 12” in 1” Increments
Leg Length	Heel to Popliteal measurements
Backrest to axle	0" - 5" adjustable backrest positioning
Axle to housing	14"-20" in 1/2" increments
Housing to footrest	2"-7" in ½" increments
Housing to Housing	10"-19" in 1/2" increments
Side wheel clearance	1/2" - 2" adjustable in 1/2" increments
Rear wheel camber	0°, 3°, 9°
Rear wheel sizes	24" (540), 25" (559), 26" (590), or 27" (700)
Available tires	24" Primo 25-540, 24"x1-3/8", KIK, Knobby 25" Primo 20-559, KIK, Knobby 26" Primo 25-590 27" Primo 700c
Hand-rims	Aluminum Welded Tabs (Standard), Plastic coating Optional
Wheel Locks	High mounts (standard), or Low mounts
Front Forks	Rigid hard Anodized Aluminum
Caster Size	72mm, 4"x1", 5"x1" solid plastic airless caster 6"x1" Pneumatic rubber tire
Upholstery	8608 Modacrylic- Black
Frame Weight	14lbs. Avg.

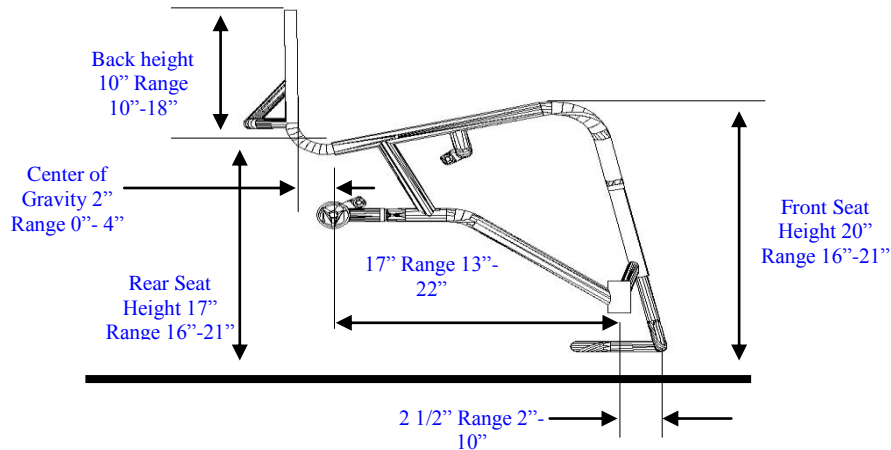
Major Components of the Shockwave



- 1) Main Seating Frame
- 2) Camber Insert Assembly
- 3) Back Rest
- 4) Foot Rest
- 5) Rear Wheels
- 6) Front Caster Assembly
- 7) Air Adjustable Shock

Basic Dimensions of the Shockwave





General Operational Guidelines

This section provides general operational guidelines for everyday use of the Shockwave wheelchair. The topics covered include stability, operating information, weight training, weight limitation, and safe operation of wheelchairs.

General Warnings

To determine and establish your particular safety limits, practice bending, reaching, and transferring activities in several combinations in the presence of a qualified healthcare professional BEFORE attempting active use of the wheelchair.



DO NOT attempt to reach objects if you have to move forward in the seat.

DO NOT attempt to reach objects if you have to pick them up from the floor by reaching down between your knees.

DO NOT lean over the top of the back upholstery to reach objects from behind as this may cause the wheelchair to tip over.

DO NOT shift your weight or sitting position toward the direction that you are reaching as the wheelchair may tip over.

DO NOT tip the wheelchair without assistance.

DO NOT use an escalator to move a wheelchair between floors. Serious bodily injury may occur.

The position of the footrest, camber tube, back angle, the condition, of the back upholstery as well as the user's condition are directly related to the wheelchair's stability. Any change to one (1) or any combination of these five (5) may cause the wheelchair to decrease stability. Use EXTREME caution when using a seat position. The addition of anti-tippers may be required.

Before attempting to transfer in or out of a wheelchair, every precaution should be taken to reduce the gap distance. Turn both casters in the direction of the object you are transferring onto. Also be sure to engage the wheel locks to prevent the wheels from moving.

DO NOT operate on roads, streets, or highways.

DO NOT climb, traverse, or go up or down slopes greater than 9°.

Caution when riding over curbs or obstacles. Doing so may cause wheelchair to turn over and cause bodily harm or damage to the wheelchair.

Caution when operating on roads or streets.

Caution when going up and down a ramp or transverse slopes greater than 9°.

DO NOT use any part, accessories, or adapters other than those authorized by Per4max Medical.

Do not attempt to lift the wheelchair by any removable parts. Lifting by means of any removable parts of a wheelchair may result in injury to the user or damage to the wheelchair.

DO NOT stand on frame of the wheelchair.

Check all Allen screws that secure the footrest and backrest to the chair frame before using the wheelchair.

All services and adjustments should be performed while the wheelchair is unoccupied.

DO NOT use the footplate as a platform when getting in or out of the wheelchair.

ALWAYS wear your seat-positioning strap if one is recommended by a DME dealer, therapist, or other healthcare professional.

Stability



WARNING



The position of the backrest, footrest, back angle, condition of the upholstery as well as the user's condition all directly contribute to the stability of the wheelchair. Use extreme caution when using a new wheelchair or making any adjustments to your current wheelchair. Any adjustment to any of the above can change the overall stability of the wheelchair.

Operational Information

Each user has their own ability and operational limits. To determine your particular limits, practice reaching, bending, and transferring in all combinations in the presence of a qualified professional before attempting active use of the wheelchair.

Weight Training

Extreme caution should be used during weight training in a wheelchair. Shifting center of gravity can cause unexpected results. Only attempt weight training in the presence of a qualified professional.



NEVER exceed the weight limit of this wheelchair for the combined weight of user and equipment. Damage to your chair, a fall, tip-over, or loss of control may occur and cause serious injury to user or others.

Weight Limit



NEVER exceed the weight limit of this wheelchair for the combined weight of user and items carried. Damage to your chair, a fall, tip-over, or loss of control may occur and cause serious injury to user or others.

Safe Operation of Wheelchairs

Safe operation of wheelchairs requires special attention of the user as well as those assisting them. This section describes the most common practices and techniques used in the safe operation of manual wheelchairs. It is important to practice these techniques and master them before attempting them in everyday practice.

Individual wheelchair users often develop skills to deal with daily living activities that may differ from those described in this manual. Per4max recognizes and encourages each individual to try what works best for him/her in overcoming architectural obstacles that they may encounter, however, ALL WARNINGS and CAUTIONS given in this manual MUST be followed. Techniques in this manual are a starting point for the new wheelchair user and assistant with “safety” as the most important consideration for all.

Stability and Balance

To assure stability and proper operation of your wheelchair, you must at all times maintain proper balance. Your wheelchair has been designed to remain upright and stable during normal daily activity as long as you don't move beyond the center of gravity.

Virtually all activities, which involve movement in the wheelchair, have an effect on the center of gravity. Per4max recommends using seat-positioning straps for additional safety while involved in activities that shift your weight.



WARNING



ALWAYS wear your seat-positioning strap if a DME dealer, therapist, or other healthcare professional recommends one.

DO NOT lean forward out of the wheelchair any further that stability will allow. Make sure casters are pointing in the forward position whenever you lean forward. Advancing the wheelchair and then reversing it in a strait line can achieve this.

Coping with Everyday Obstacles

Coping with the irritation of everyday obstacles can be alleviated somewhat by learning how to manage your wheelchair. Keep in mind your center of gravity to maintain stability and balance.

Guidance for Assistants

When assistance to the wheelchair user is required, remember to use good body mechanics. Keep your back strait and bend your knees whenever tilting the wheelchair or traversing curbs, or other impediments.



WARNING



DO NOT attempt to lift a wheelchair by lifting on any removable parts. Lifting by means of removable parts of a wheelchair mat result in injury to the user or damage to the wheelchair.

Also, be aware of any removable (detachable) parts. These must NEVER be used for hand-hold or lifting supports, as they may be inadvertently released, resulting in possible injury to the user and/or assistant(s).

When learning a new assistance technique, have an experienced assistant help you before attempting it alone.

Weight Distribution

Many activities require the wheelchair owner to reach, bend, and transfer in and out of the wheelchair. These movements will cause a change to the normal balance, the center of gravity, and the weight distribution of the wheelchair. To determine and establish your particular safety limits, practice bending, reaching, and transferring activities in several combinations in the presence of a qualified healthcare professional BEFORE attempting active use of wheelchair.

Proper positioning is essential for your safety. When reaching, leaning, bending forward, it is important to use the front casters as a tool to maintain stability and balance.

Moving the back rest forward will shift the center of gravity forward and increase the stability and maintain standard maneuverability of wheelchair. (see section on backrest adjustment.)

Moving the back rest will shift the center of gravity back, distribute additional weight onto the rear wheels, and increase the tippiness.

Reaching and Leaning

There are many times when it is necessary to reach or lean to pick up objects. It is important to maintain proper balance and positioning during this process. Proper positioning is essential for your safety. When reaching, leaning, bending forward, it is important to use the front casters as a tool to maintain stability and balance. When reaching forward, position the front casters so that they are extended as far forward as possible and engage wheel locks.



DO NOT attempt to reach objects if you have to move forward in the seat or pick them up from the floor by reaching between the knees.



DO NOT lean over the top of the back upholstery. This will change your center of gravity and may cause you to tip over.

Tilting

In using wheelchairs in everyday operation, it may be necessary to tilt the wheelchair to overcome an obstacle. It is important to perform this operation safely.



DO NOT tilt wheelchair without assistance. Do not let the wheelchair drop the last few inches to the ground. This could result in injury to the occupant.

When tilting the wheelchair, an assistant should grasp the back of the wheelchair on a non-removable (non-detachable) part. Inform the wheelchair occupant before tilting the wheelchair and remind him/her to lean back. Be sure the occupant's feet and hands are

clear of all wheels. Apply a continuous motion until the balance point is achieved. At this point, the assistant will feel a difference in the weight distribution. Turn the wheelchair in the desired direction if necessary. Slowly lower the wheelchair in one continuous movement. Do not let the wheelchair drop the last few inches to the ground. This could result in injury to the occupant.

After mastering the techniques of tilting the wheelchair, use the following method to tackle curbs, short stairs, etc.

METHOD 1- Apply a continuous downward motion until the balance point is achieved and the front casters have cleared the curb. At this point, the assistant should feel a difference in the weight distribution. Roll the wheelchair forward and slowly lower the front casters onto the sidewalk. Do not let the wheelchair drop the last few inches to the ground. This could result in injury to the occupant. Push the wheelchair forward until the rear wheels roll up and over the curb.

METHOD 2- This method requires two (2) assistants. The second assistant should be positioned at the front of the wheelchair lifting upward on a non-removable (non-detachable) part of the wheelchair frame when lifting the wheelchair and stabilizing the wheelchair when the wheelchair is being lowered to the ground.

The first assistant should stand on the sidewalk and turn the wheelchair so that the rear wheels are against the curb. The wheelchair should be tilted back to the balance point and, in one continuous and upward movement, the rear wheels should be pulled up over the curb. **DO NOT** return the front casters to the ground until the wheelchair has been pulled far back enough for the front casters to clear the edge of the curb.

Stairs

There are times when it may be necessary to traverse a staircase. Use extreme caution when it is necessary to move an occupied wheelchair up or down a stairway. Per4max recommends using two (2) assistants and making thorough preparations. Make sure to use only secure, non-detachable parts for hand-hold support.



DO NOT attempt to lift the wheelchair by any removable (detachable) parts. Lifting by means of any removable parts of a wheelchair may result in injury to the user or damage to the wheelchair.

Follow this procedure for moving the wheelchair between floors when an elevator is **NOT** available:

- 1) If equipped, remove the anti-tippers. Refer to **PROCEDURE 8** of this manual.

- 2) After the wheelchair has been tilted back to the balance point, one assistant (in the rear) backs the wheelchair against the first step, while securely grasping a non-removable part of the wheelchair for leverage.
- 3) The second assistant, with a firm hold on a non-detachable part of the framework, lifts the wheelchair up and over the stairs and steadies it while the first assistant places one foot on the next stair and repeats procedure.
- 4) The wheelchair should not be lowered until the last stair has been cleared and it has been rolled away from the stairway.
- 5) If equipped, reinstall the anti-tippers. Refer to PROCEDURE 8 in this manual.



DO NOT use an escalator to move a wheelchair between floors. Serious bodily injury may occur.

Transferring to and From Other Seats

Before attempting to transfer in or out of the wheelchair, every precaution should be taken to reduce the gap distance. Turn both casters parallel to the object you are transferring onto. Also be certain the wheel locks are engaged to help prevent the wheels from moving. Shift body weight into seat with transfer.



When transferring, position yourself as far back as possible in the seat. This will prevent damaged upholstery and the possibility of the wheelchair tipping forward.

NOTE: This activity may be performed independently provided you have adequate mobility and upper body strength. During independent transfer, little or no seat platform will be beneath you. Use a transfer board if at all possible.

Safety Inspection

Every six (6) months take your wheelchair to a qualified Per4max Medical dealer for a thorough inspection and servicing. Regular cleaning will enhance the smooth operation of your wheelchair and may reveal loose or worn parts. Routine maintenance will extend the life of your wheelchair. Clean upholstery with mild soap and water DO NOT clean in washing machine.

Initial adjustments should be made to suit your body structure and preference. Thereafter follow the following maintenance procedures (conduct monthly checks and cleaning to insure proper efficiency.)

- The wheelchair rolls straight (no excessive drag or pull to one side)
- The tires roll without interference
- The pivot points are free of wear and looseness
- Wheel locks are easy to engage
- Inspect seat upholstery for rips or sagging
- Fastening flaps securely latch on upholstery
- Adjustable Axle position camber bar is securely tightened
- Quick/Quad release axles lock properly
- No excessive side movement or binding when lifted and spun
- Handrims are free from rough edges and peeling
- Spokes are not bent or broken and are uniformly tight
- Inspect wheel/fork assembly for proper tension by spinning caster (caster should come to a gradual stop)
- Wheel bearings are clean and free of moisture
- Tires have no flat spots or wear
- If pneumatic tires check for proper inflation
- Clean upholstery and armrests



WARNING



As with any vehicle, the wheels and tires should be checked periodically for cracks and wear, and should be replaced.

Troubleshooting

If chair veers right or left: check tires for correct and equal pressure; check that both casters contact the ground at the same time.

If the chair has sluggish turn or performance: check tires for correct and equal pressure; check for loose stem nuts.

If the casters flutter: check tires for correct and equal pressure; check for loose stem nuts; check spokes and nipples.

If the chair squeaks and/or rattles: check for loose stem nuts; check spokes and nipples.

If there is looseness in the chair: check for loose stem nuts; check spokes and nipples.

Maintenance



WARNING



After ANY adjustments, repair, or service and BEFORE use, make sure all attachments are securely fastened - otherwise injury or damage may result. DO NOT overtighten hardware attaching to the frame. This could cause damage to the frame tubing.

Suggested Maintenance Procedures

1. Before using your wheelchair, make sure all nuts and bolts are tight. Check all parts for damage or wear and replace. Check all parts for proper adjustments.
2. Keep quick/quad release axles free from dirt and lint to ensure positive locking and proper operation.
3. Oil quick release axles at least once a month.
4. Recommended tire pressure is listed on the sidewall of the tire. Check pressure regularly.
5. The wheels and tires should be checked periodically for cracks and wear, and should be replaced when necessary. Contact your local Per4max Medical dealer.
6. Regularly check for loose spokes in the rear wheels. If loose have them adjusted by your local Per4max dealer.
7. Periodically check handrims to ensure they are secured to rear wheels.
8. Periodically adjust wheel locks in correlation to tire wear.

9. Periodically check caster wheel bearings to make sure they are clean and free of moisture. Use a Teflon® lubricant if necessary.

10. Check upholstery for sagging, rips, or tears.

Adjusting your Chair

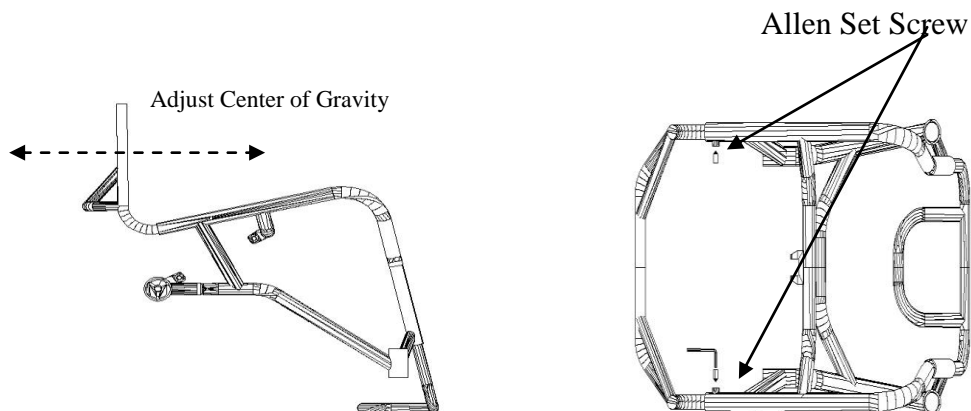
When you receive your chair, it may be necessary to adjust your chair to meet your personal preference. There are several features on the chair that are adjustable.

Some of these features are:

- Back Rest Adjustment
- Foot Rest Adjustment
- Camber Angle Adjustment/ Spacing

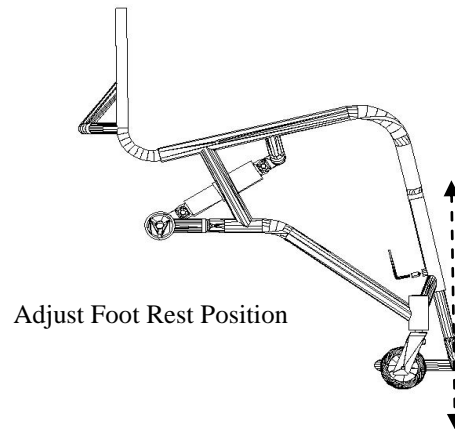
Back Rest Adjustment

The chair contains two allen hex screws on the inside rear of the chair (Fig.1). The screw can be loosed to enable the backrest to move forward (to the front of the chair) or back. If the back rest is pulled back the chair becomes tipsy. Once the C.G has been established, the screws should be secured.



Foot Rest Adjustment

The footrest can be adjusted by loosening the two allen hex screws and sliding the footrest up or down. Once the position is established tighten the screws.



Fasten screws tightly. May cause footrest to slide and tip wheelchair forward if not properly set.

Camber Angle Adjustment/ Wheel Spacing

The chair contains two threaded inserts that contain a given angle. The inserts can be replaced by removing the nut and the key lock and unscrewing the insert from the camber bar. Screw in the insert to the desired wheel spacing, between the back post and the rear wheel. Align the camber bar and threaded insert and push the key lock in place (Fig.4). Check the wheel spacing before screwing nut into place, fasten tightly.



Make sure insert has been screwed a half inch into the camber bar to make sure the threads do not strip. May cause damage to part. Make sure key is always in place and nut is tightly fastened.

Warranty Policy

PLEASE NOTE: THE WARRANTY BELOW HAS BEEN DRAFTED TO COMPLY WITH FEDERAL LAW APPLICABLE TO PRODUCTS MANUFACTURED AFTER JULY 4, 1975.

This warranty is extended only to the original purchaser/user of our products.

This warranty gives you specific legal rights and you may also have other legal rights which vary from state to state.

P4X, Inc. warrants the frame to be free from defects in materials and workmanship for 5 years from date of purchase; all remaining components for one (1) year from date of purchase except upholstered materials, padded materials and tires/wheels. If within such warranty period any such product shall be proven to be defective, such product shall be repaired or replaced, at Per4max's option. This warranty does not include any labor or shipping charges incurred in replacement parts installation or repair of any such product. Per4max's sole obligation and your exclusive remedy under this warranty shall be limited to such repair and/or replacement. Push rims, spoke guards, axles and spokes are NOT WARRANTIED. Unauthorized modification (i.e. Welding, Bending etc.) to the frame will VOID WARRANTY.

For warranty service, please contact the dealer from whom you purchased your Per4max product. In the event you do not receive satisfactory warranty service, please write directly to Per4max Medical at the address above. Provide dealer's name, address, date of purchase and indicate nature of the defect. Do not return products to our factory without our prior consent.

LIMITATION AND EXCLUSIONS: PRODUCTS SUBJECTED TO NEGLIGENCE, ACCIDENT, IMPROPER ORPERATION, MAINTENANCE OR STORAGE, COMMERCIAL OR INSTITUTIONAL USE, PRODUCTS MODIFIED WITHOUT PER4MAX MEDICAL EXPRESS WRITTEN CONCENT (INCLUDING, BUT NOT LIMITED TO, MODIFICATION THROUGH THE USE OF UNAUTHORIZED PARTS OR ATTACHMENTS; PRODUCTS DAMAGED BY REASON OF REPAIRS MADE TO ANY COMPONENT WITHOUT THE SPECIFIC CONSENT OF PER4MAX MEDICAL ARE, OR TO A PRODUCT DAMAGED BY CIRCUMSTANCES BEYOND PER4MAX MEDICAL CONTROL, AND SUCH EVALUATION WILL BE SOLELY DETERMINED BY PER4MAX MEDICAL. THE WARRANTY SHALL NOT APPLY TO PROBLEMS ARISING FROM NORMAL WEAR OR FAILURE TO ADHERE TO THESE INSTRUCTIONS.

Return Policy

15 Day Return Policy

At Per4max, our number one priority is to make sure that all of our customers are satisfied with our product. We understand that occasionally you may receive a product you are not happy with therefore we are committed to working with you for a resolution.

You may return your purchase within 15 days of receipt – see below for exceptions. To qualify for a return, please note the following:

- Product must be non-damaged and unused.
- Original packaging and materials intact.
- Return shipping costs are the responsibility of the customer.

Restocking Fees: A 20% restocking fee will be assessed for all returned cushions.

No Returns: There are no returns for the following: Custom made items and all wheelchairs. The wheelchairs are non-returnable since they are all custom-produced to each customer.

Return Process: To return a product, the above conditions must be met. Furthermore, we require that all returns follow these instructions for proper processing:

- Call 866-648-6891 to request a Return Authorization Number (RA).
- We must receive item within 15 days of an RA# being issued.
- Report via phone or email a tracking number to our offices.
- Items sent without an RA number cannot be credited.

Refunds: All credits will be given after receipt and item inspection approval.

Cancellations: If you cancel your order after it has already shipped we consider it a return and the above policies apply.

Registration of Product

Reasons to Register:

We recommend that you register your product to ensure long term maintenance and service of your product purchased. Safeguard your investment and receive updates with product information. It also allows us to contact you or your provider if servicing is needed on your product.

Complete registration form & mail from next page.

Registration information submitted will be used by P4X Inc. dba Per4Max Medical only, and protected as required by applicable laws and regulations.

Send to:

Per4Max

1000 Post and Paddock, Ste. 302

Grand Prairie, TX 75050

Per4Max Medical Registration Form

Name _____

Address _____

City _____ State/Province _____

Zip/Postal Code _____ Email _____

Phone _____ Type (Mobile, Home, Work) _____

Per4Max Model _____ Serial No. _____

Purchased From _____ Date of Purchase _____

1. Method of Purchase: (check all that apply)

Medicare Insurance Medicaid Other _____

2. This product was purchased for use by: (check one)

Self Parent Spouse Other _____

3. Product was purchased for use at:

Home Facility Other _____

4. I purchased a Per4Max product because:

Price Features (list): _____

5. Who referred you to Per4Max products? (check all that apply)

Doctor Therapist Friend Dealer/Provider

Advertisement (circle one): Magazine/Newspaper No Referral

Other _____

6. What additional features, if any, would you like to see on this product?

7. Would you like to receive information about Per4Max products that may be available for a particular medical condition?

8. If yes, please list any condition(s) here and we will send you information by email and/or mail about any available Per4Max products that may help treat, care for or manage such condition(s): _____

9. Would you like to receive updated information via email or regular mail about the Per4Max medical products sold by Per4Max dealers? Yes No

10. What would you like to see on the Per4Max website? _____

11. Users Year of birth: _____

If at any time you wish not to receive future mailings from us, please contact using info on page3.