

The CATAPULT



Introducing the PER4MAX Catapult! Built with the same precision and quality as our industry leading sport wheelchairs, the Catapult is here to elevate your throws! Whether you are a right or left handed thrower, PER4MAX Catapult adjustable foot rails, footplates, backrest, and holding bar, has you covered. Tie down quickly and without hassle using a choice of anchor points regardless of frame position. Travel with Ease with mounted, sturdy casters allow for easy rolling whether on smooth or rough terrains. PER4MAX Catapult is a game-changing frame perfect for individuals and club use.



Transport Wheel Assembly Option

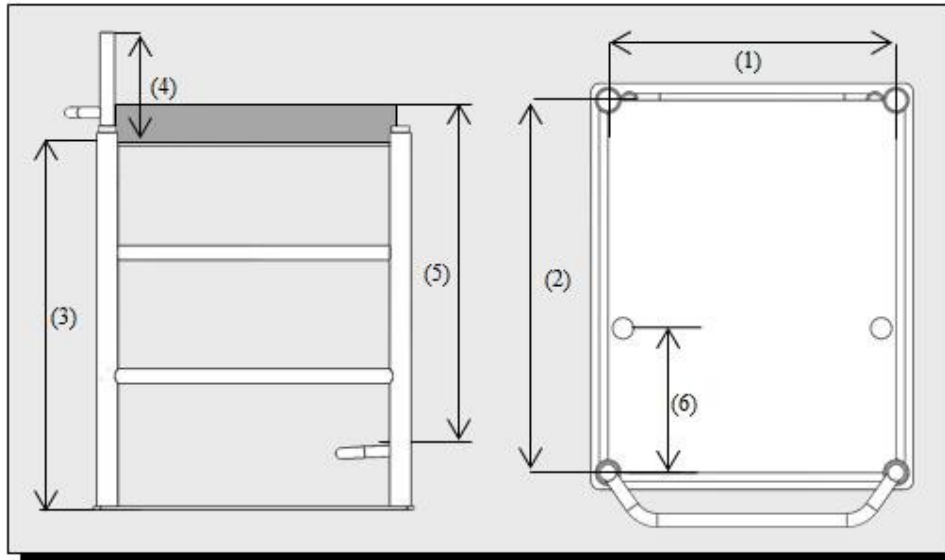
Standard Features

- Custom Fit to User's Needs
- Adjustable Backrest Height
- 6061-T6 Aluminum Alloy Frame
- Black Upholstery
- Powder Coated Frame
- 3yr. Warranty on Frame
- Adjustable Torque Pole
- Calf Strap

Optional Features

- ✦ Special Colors
- ✦ Transport Wheel Assembly (Plastic or Alum.)
- ✦ M2 Waist Click Strap
- ✦ M2 Foot Click Strap
- ✦ Leather Trim Upholstry

The CATAPULT



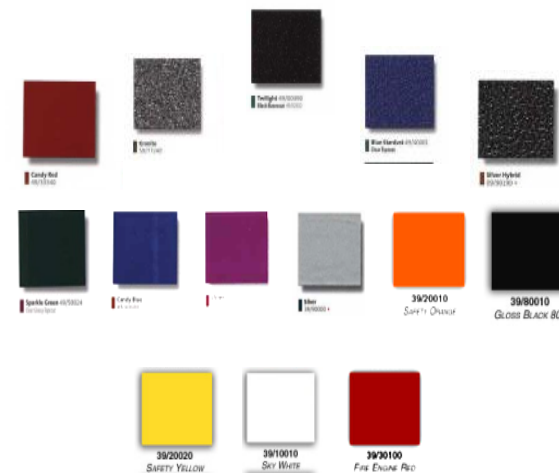
Standard Measurements (with Ranges)

- 1) Seat Width
- 2) Seat Depth
- 3) Seat Height
- 4) Backrest Height
- 5) Lower Leg Length
- 6) Click Strap Location



Optional Waist Click Strap and Foot Strap

Frame Color Options



PER4MAX MEDICAL

1000 Post and Paddock, Ste 310
 Grand Prairie, TX 75050
 Phone (972) 641-6773
 Fax (972) 623-0585

PER4MAX MEDICAL

WWW.PER4MAX.COM